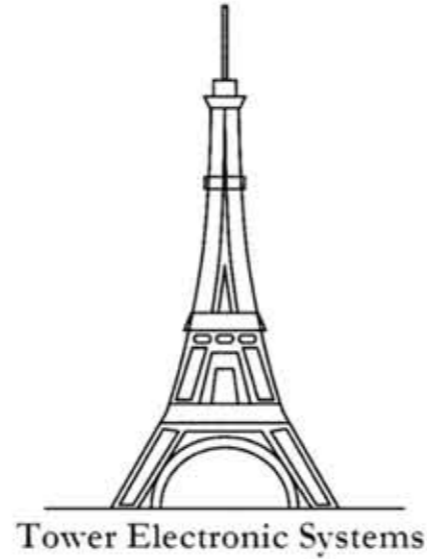


# 1100 Series

Single Conversion Online UPS



1100 Series

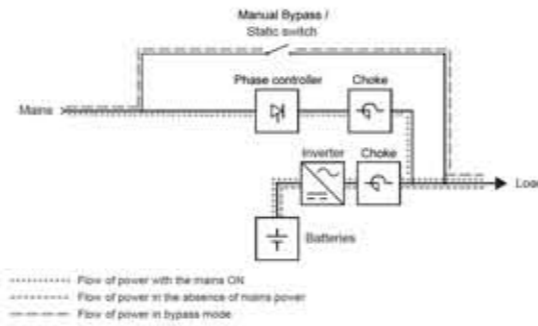


## Overview

1100 Series of UPS features efficient Single Conversion reactive ONLINE topology based on PWM design using IGBT power devices. As a result the output remains controlled within 1% with low distortion and noise dissipation making it ideal for Servers, Data-centers, Critical network devices, Sensitive electronic equipment, Medical, Lighting, Telecom & Industry.

## Key Features

- 20 Character, 2 Line Intelligent Diagnostic Display
- Advanced PWM Design
- Single Conversion
- DC Overcharge Protection
- Aesthetically Pleasing
- Unity Power Factor Input
- Long Run Battery Capability
- Internal Battery



## SPECIFICATIONS:

Model	1103	1105	1108	1110	1115	1120
Nominal Capacity	3kVA / 2.1kW	5kVA / 3.5kW	8kVA / 5.3kW	10kVA / 7kW	15kVA / 10.5kW	20kVA / 14kW
Input	Input Power Factor	up to 0.99				
	Input Voltage Range	230VAC ± 15% (Special Units ± 30%)				
Output	Input Frequency Range	50Hz ± 5%				
	Output Voltage Range	230VAC ± 1%				
	Output Frequency	50Hz ± 0.05Hz (Free Running)				
	Output Waveform	Pure Sine Wave, THD <5% (no load to full load) - Typically 3%				
	Rated Output Power Factor	0.7 Lagging				
	Load Power Factor Range	0.5 Lagging to Unity within kW Rating of Unit				
	Output Harmonic Distortion	<3% THD				
	Transient Response	± 5% Under Full Load and Recovery within 30ms				
	Static Switch Rating	1000% for 100ms				
	Output Current Crest Ratio	3:1				
Synchronization	Slew Rate : 1Hz/s					
Battery	Battery Type	Sealed Maintenance Free Lead Acid				
	Nominal DC voltage	432VDC				
	Quantity	32 pcs minimum			64 pcs minimum	
	Battery Recharge Time	6hrs to 90%				
Maximum Charge Current	3A (adjustable higher, load dependent)			5A (adjustable higher, load dependent)		
Bypass	Static	On Overload or UPS Failure				
	Manual	User Operated for Maintenance				
Indicators	LCD Display	UPS Status, Measurements, Loading, Fault Codes				
Efficiency (Input - Output)	>95%					
Transfer Time	0ms					
Overload	200% for 15sec. Short Circuit Capability without Damage					
Alarms	27 possible alarms for accurate diagnosis					
communication	Dry Contacts (standard)	Voltage Free N/O or N/C Contacts				
	RS232 (optional)	Monitor UPS through Direct Cable Connection & Software				
	SNMP (optional)	Network Control UPS through Management Software & Internet				
	GSM (optional)	Monitor UPS over GSM Network				
Environment	Operating Temperature	0-40°C				
	Operating Humidity	0-90% Non-Condensing				
	Altitude	0 - 2000m without Derating				
	Noise (1meter distance)	<50dB				
Dimensions (WxDxH) mm	Short	370 x 680 x 600				
	Tall	370 x 680 x 845				
	Super Tall	370 x 680 x 1320				
Weight (kg) - Excluding Batteries	Short	50	50	55	60	-
	Tall	63	63	70	73	81
	Super Tall	89	89	95	99	107

\* Product specifications are subject to change without prior notice.